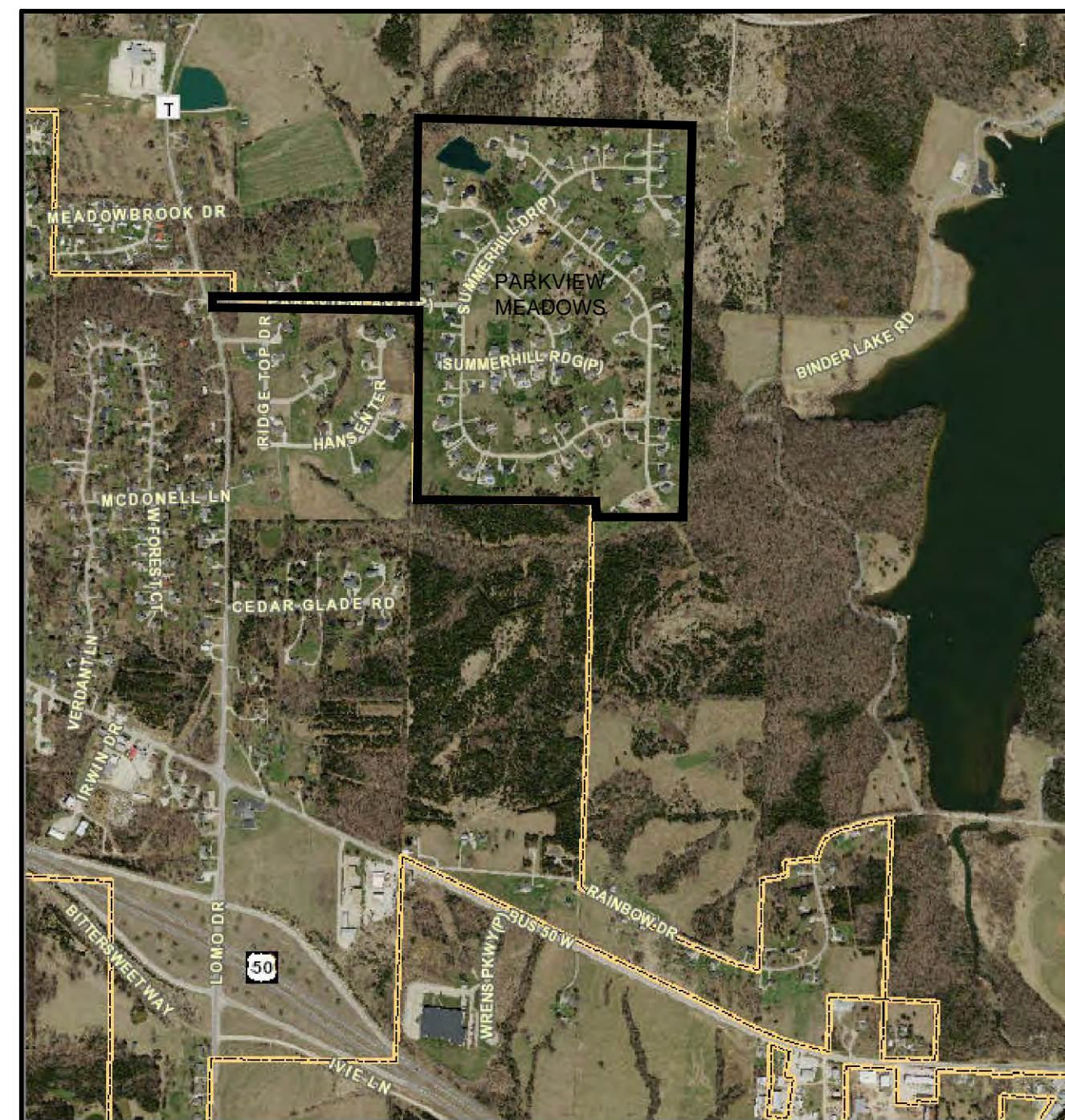


General Notes:

1. Verification of the location of existing underground utilities shown or not shown shall be the responsibility of the contractor. Any damage to existing or proposed facilities, structures, or utilities shall be repaired or replaced at the contractor's expense. Notify Missouri One Call (1-800-344-7483) for location of the utilities at least 5 days prior to beginning construction.
2. The contractor shall immediately repair all damage to property outside the limits of the construction. The contractor shall bear the cost of all such repairs.
3. Report any discrepancies found with regard to existing conditions or proposed design immediately to the engineer.
4. Do not willfully proceed with construction as designed where discrepancies exist. The contractor shall be responsible for all revisions to the work when no notice was given to the engineer.
5. The contractor shall coordinate other site related operations performed by others.
6. The contractor shall protect all existing facilities to remain including on-site private and public property.
7. All work shall be in compliance with all local, state, and federal codes, and ordinances. The contractor shall obtain all permits from applicable authorities and the City of Jefferson Public Works Department.
8. Leave areas of demolition in a neat and safe condition at the end of each work day. The contractor shall barricade areas of demolition as necessary to protect the general public. Maintain safe public access to building entrances and existing sidewalks.
9. Legally dispose of all demolition items off site unless noted to return items to the city or owner.
10. See drawings for locations and dimensions for areas of improvements related to demolition activities.
11. All removals adjacent to existing improvements to remain shall be isolated by sawcuts. Sawcuts shall be full depth.
12. All utilities not marked for removal shall remain in place.
13. All reinforcing steel shall have a minimum of 3" of cover unless otherwise noted.
14. All reinforcing steel shall be ASTM A615, grade 60 unless otherwise noted.
15. All reinforcing rebar to be detailed and placed in accordance with the ACI Manual of Standard Practice for Detailing Reinforced Concrete Structures' specifications. Continuous rebar shall be lapped accordingly.
16. Unless otherwise specified, all construction shall be in accordance with the technical specifications and standard drawings of the City of Jefferson Department of Public Works.
17. All full depth granular trench backfill areas shall be considered incidental to the project.
18. Refer to the "City of Jefferson Standard Drawings" (Latest edition) for details relating to streets, stormwater, pipe embedment, and miscellaneous detailed information. A paper copy can be requested from the Public Works Department, or for a free download from the city's web site go to: www.jeffersoncitymo.gov.
20. For complete A.D.A. Ramp details see the "City of Jefferson Standard Drawings" (Latest edition).

PARKVIEW MEADOWS NEIGHBORHOOD IMPROVEMENT DISTRICT PROJECT

COLE COUNTY PUBLIC WORKS
PROJECT NUMBER 2015-001-0



PROJECT LOCATION
NOT TO SCALE

PLAN SHEET INDEX

1	TITLE SHEET
2-5	PLAN SHEETS
6	TABULATION OF QUANTITIES
7	CONSTRUCTION DETAILS



UTILITY STATEMENT:
UNDERGROUND UTILITIES ARE NOT SHOWN ON THE PLANS. THE CONTRACTOR IS RESPONSIBLE FOR CALLING MISSOURI ONE CALL TO REQUEST UNDERGROUND UTILITY LOCATES PRIOR TO ANY EXCAVATION.

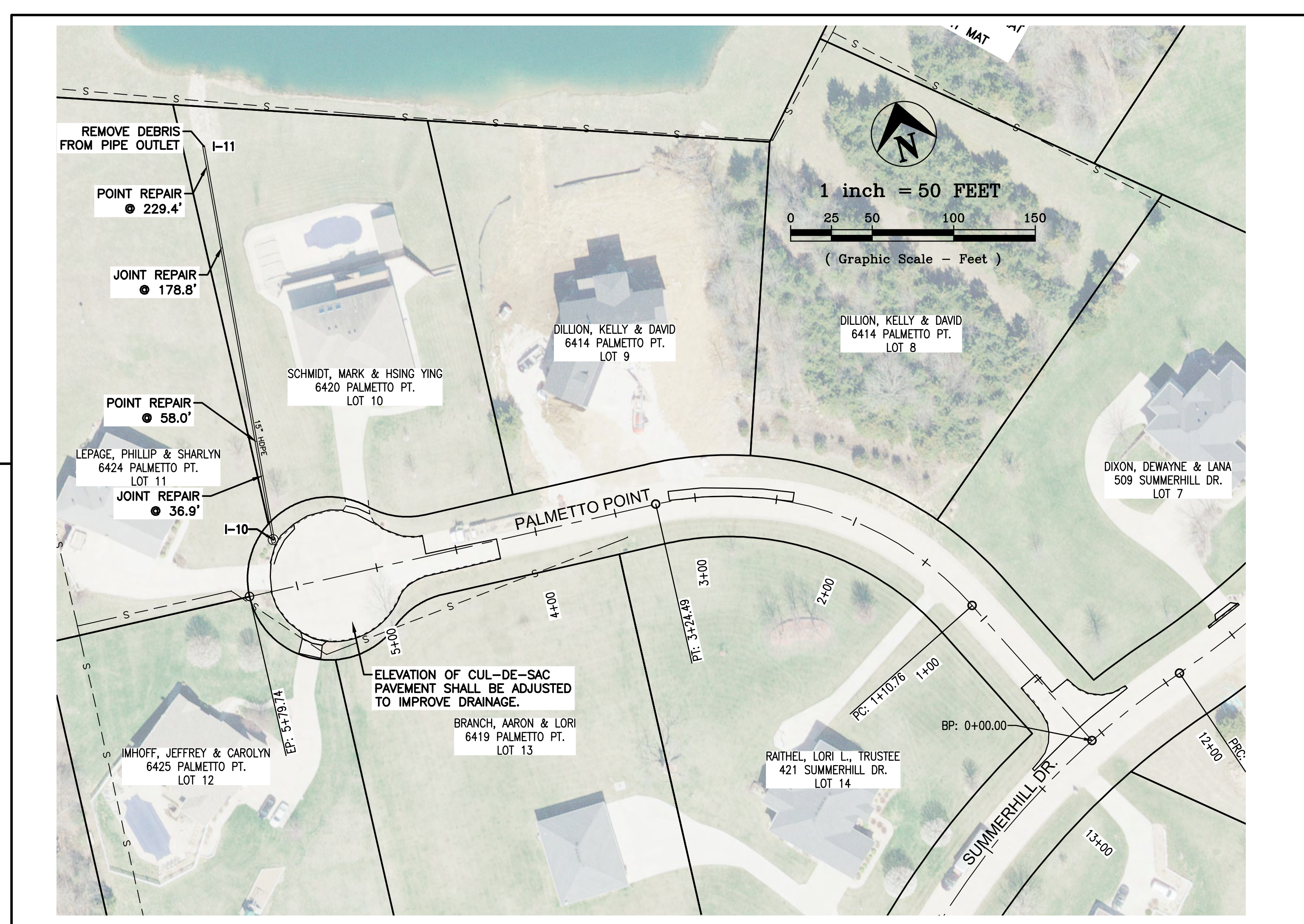
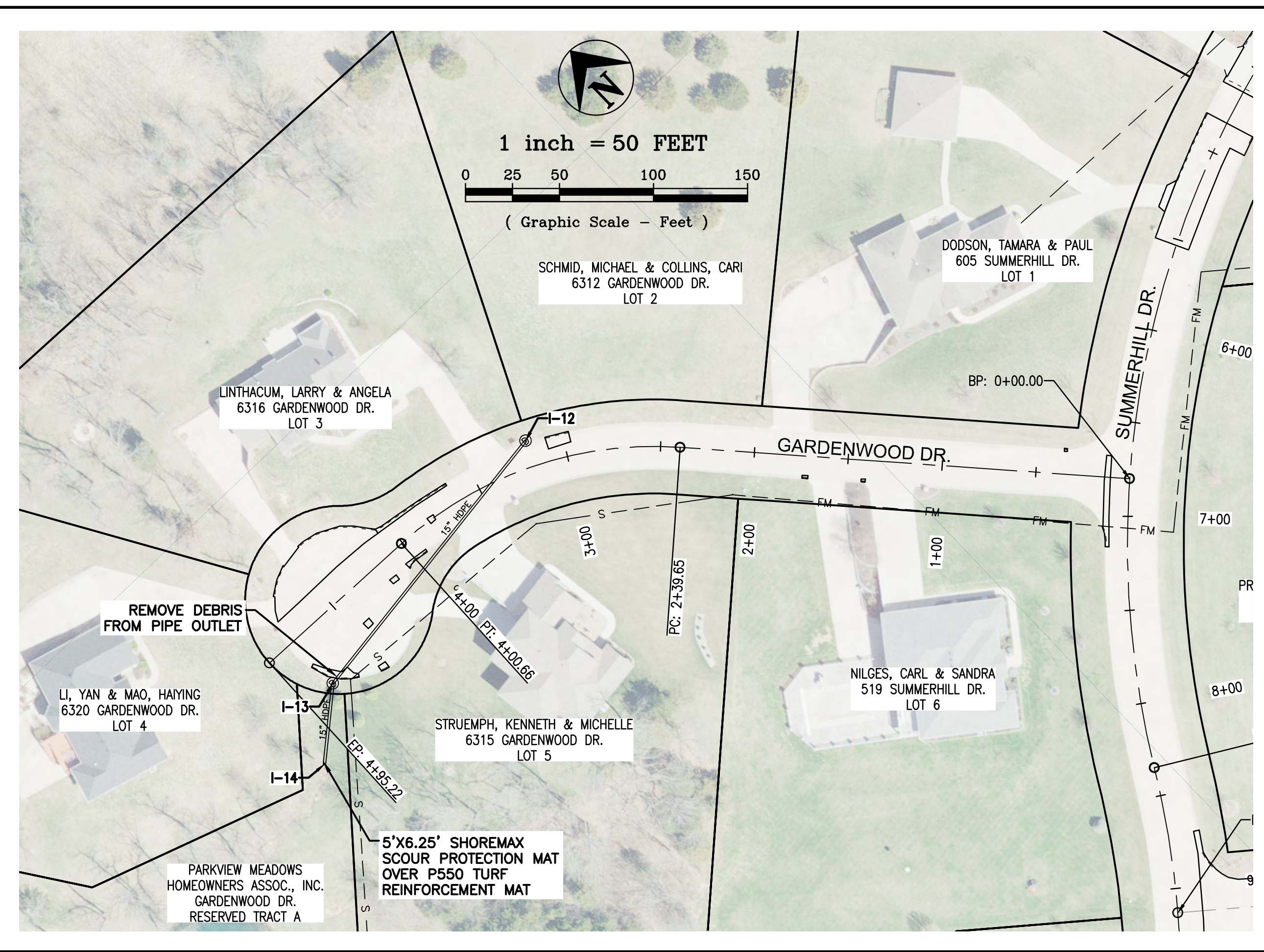
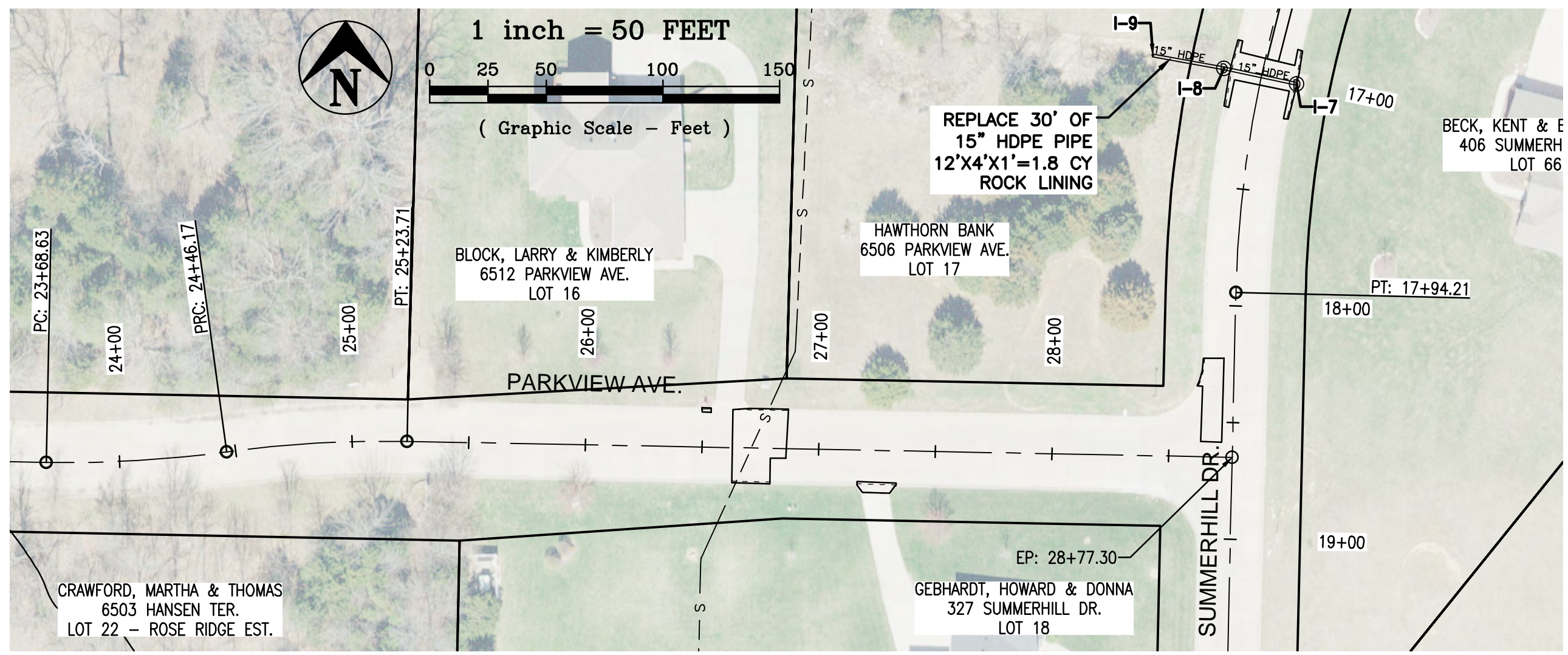
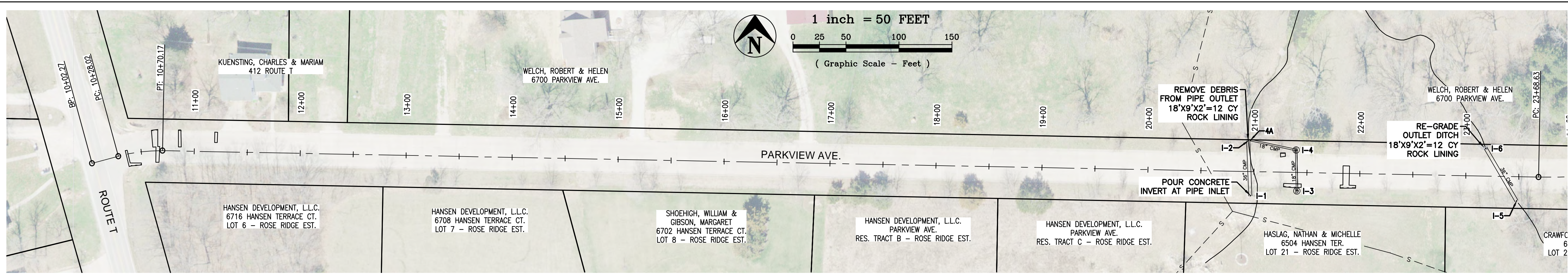


ACCEPTED BY: _____ Date: _____
Eric Landwehr, P.E.
County Engineer
Cole County, MO

UTILITY COMPANIES

- Water – Cole County Public Water Supply District #3
- Sanitary Sewer – City of Jefferson
- Electric – Ameren Missouri
- Natural Gas – Ameren Missouri
- Telephone – Centurylink

PRINTS ISSUED 5/6/16 REVISIONS:	
Central Missouri Professional Services, Inc. ENGINEERING – SURVEYING – MATERIALS TESTING 2500 E. MCCARTY JEFFERSON CITY, MISSOURI 65101 (573) 634-3455 (573) 634-8898 <small>Central Missouri Professional Services, Inc. Missouri State Certificate of Authority #001558</small>	Paul Samson, PE - Engineer MO# PE-2002016730
PARKVIEW MEADOWS NID STREET IMPROVEMENTS COLE COUNTY PUBLIC WORKS COLE COUNTY, MISSOURI	
CMPS JOB No. 93-258	
DRN. BY: P.L.S.	CKD. BY: P.L.S.
SCALE:	
SHEET TITLE TITLE SHEET	
SHEET NUMBER 1	
OF 7 SHEETS	



PRINTS ISSUED
 5/6/16
 REVISIONS:

Central Missouri Professional Services, Inc.
 ENGINEERING - SURVEYING - MATERIALS TESTING
 2500 E. McCARTY
 JEFFERSON CITY, MISSOURI 65101
 (573) 634-3455
 (573) 634-8898

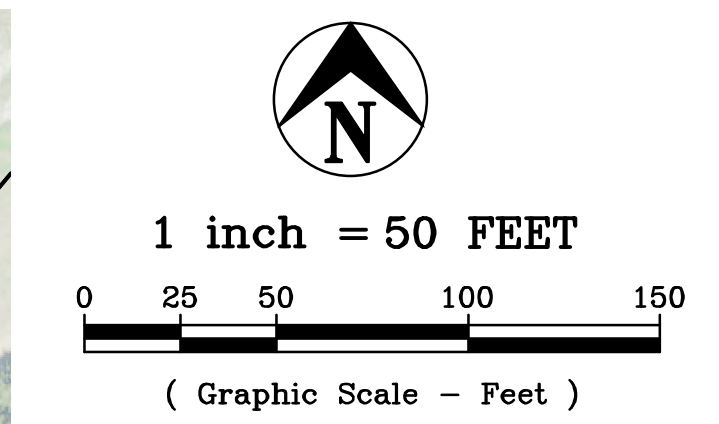
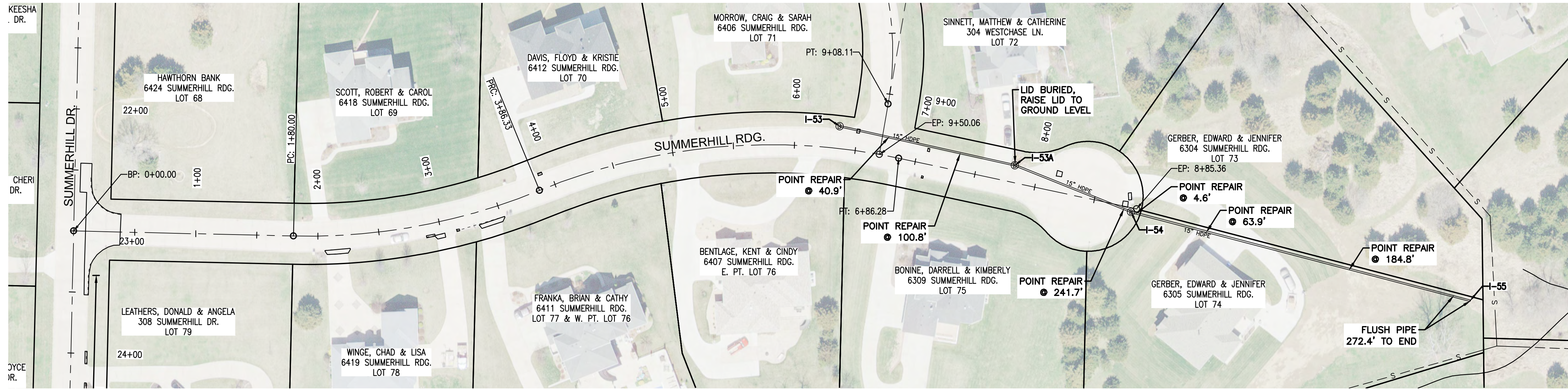
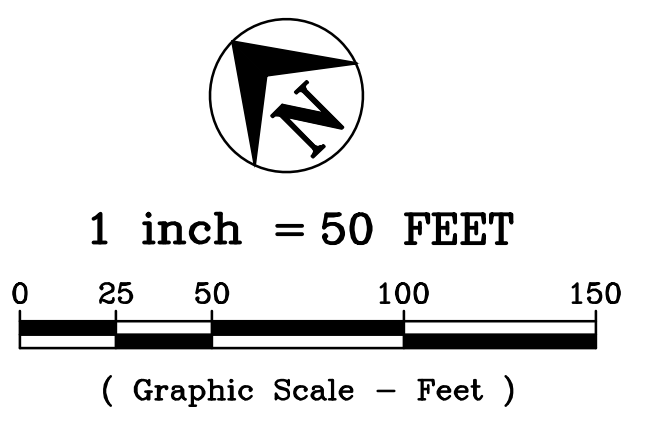
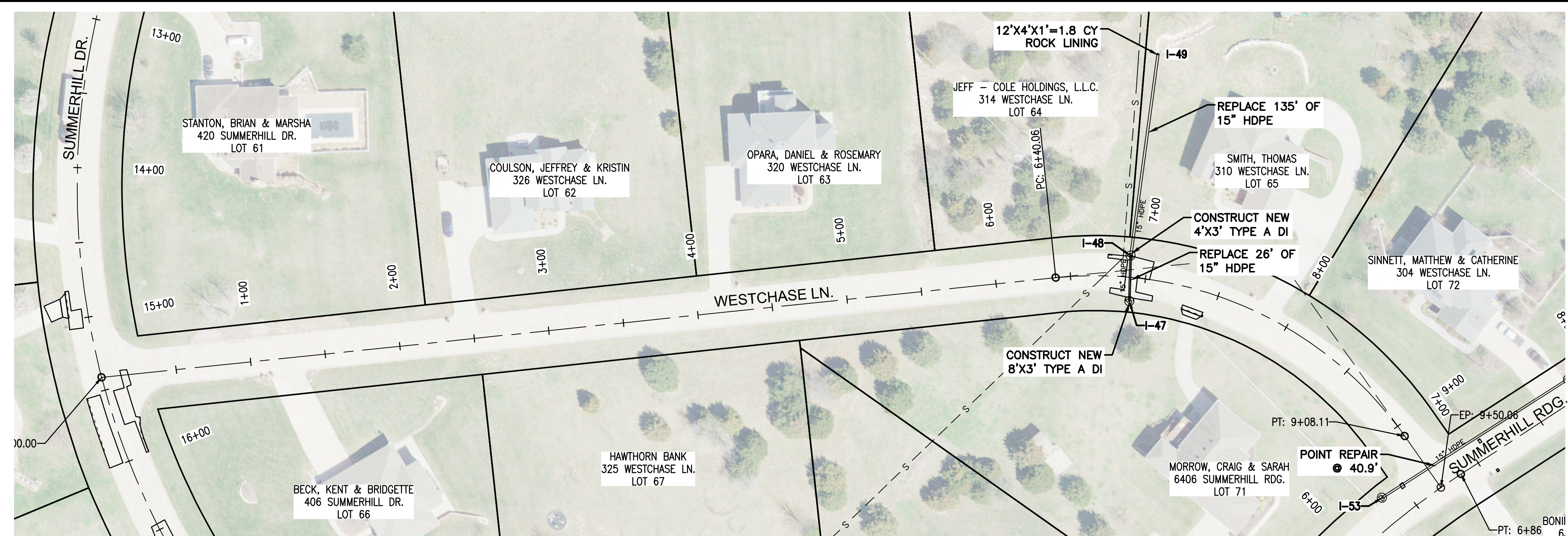
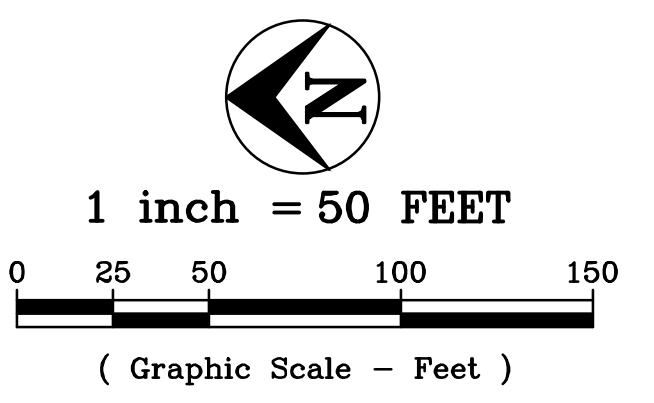
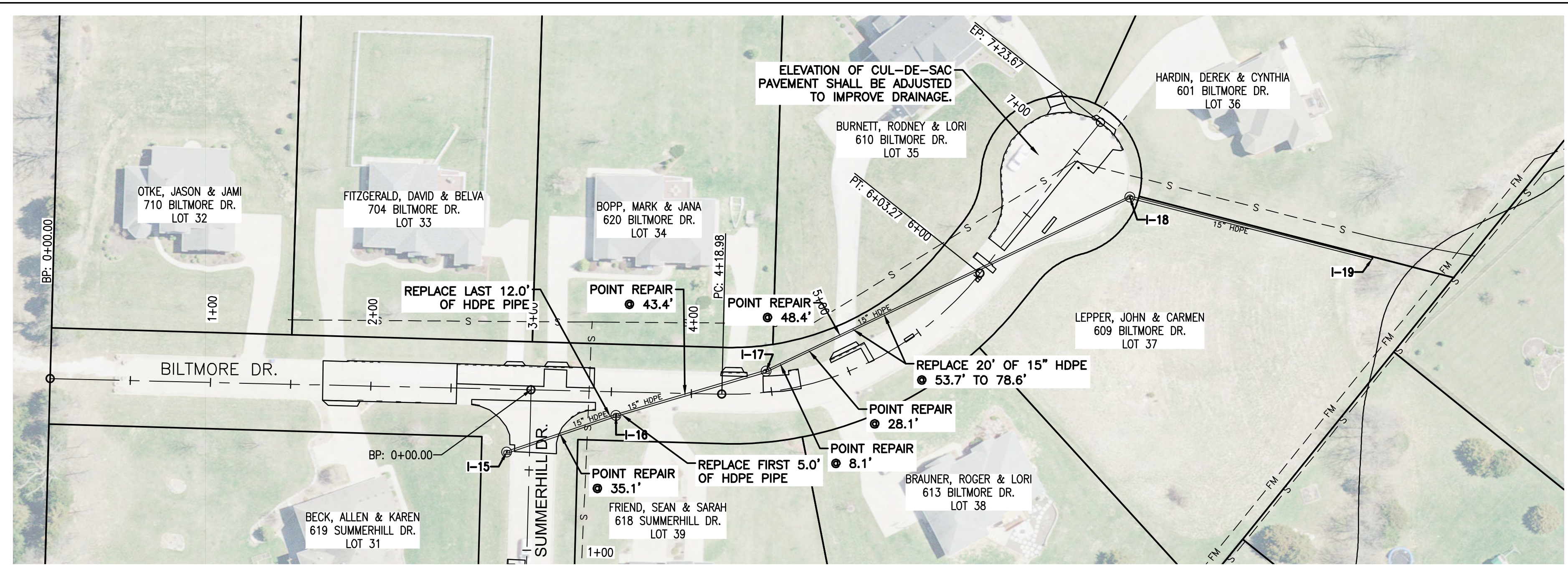
Paul Samson, PE - Engineer
 MO# PE-2002016730

STATE OF MISSOURI
 PROFESSIONAL ENGINEER
 NUMBER 2002016730
 5-6-16

PARKVIEW MEADOWS NID STREET IMPROVEMENTS
 COLE COUNTY PUBLIC WORKS

COLE COUNTY, MISSOURI

CMPS JOB No. 93-258
 DRN. BY: P.L.S. CKD. BY: P.L.S.
 SCALE: 1" = 50'
 SHEET TITLE
IMPROVEMENT PLANS
 SHEET NUMBER
2
 OF 7 SHEETS



PRINTS ISSUED
5/6/16
REVISIONS:

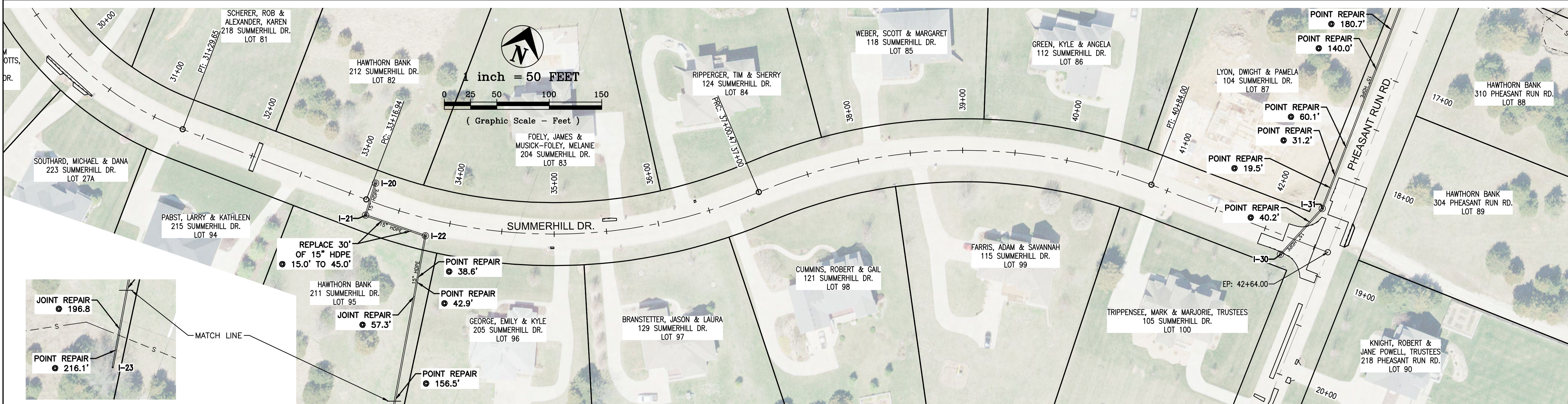
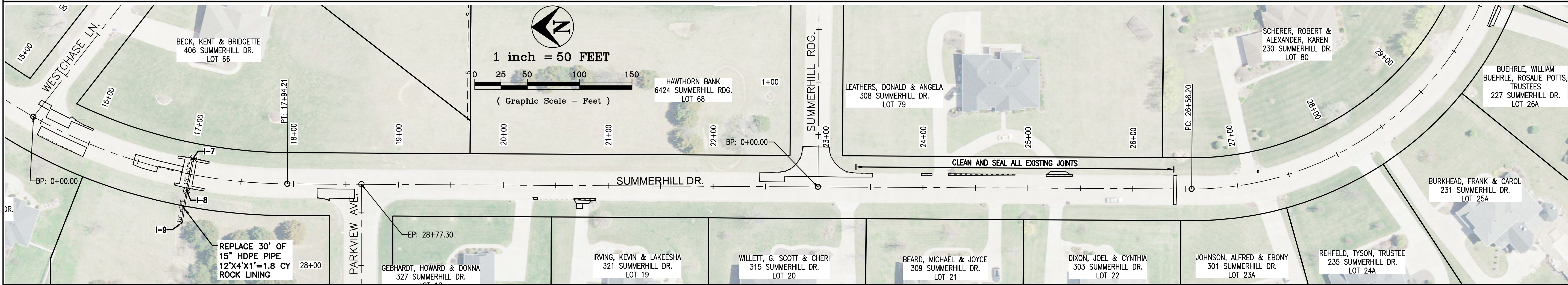
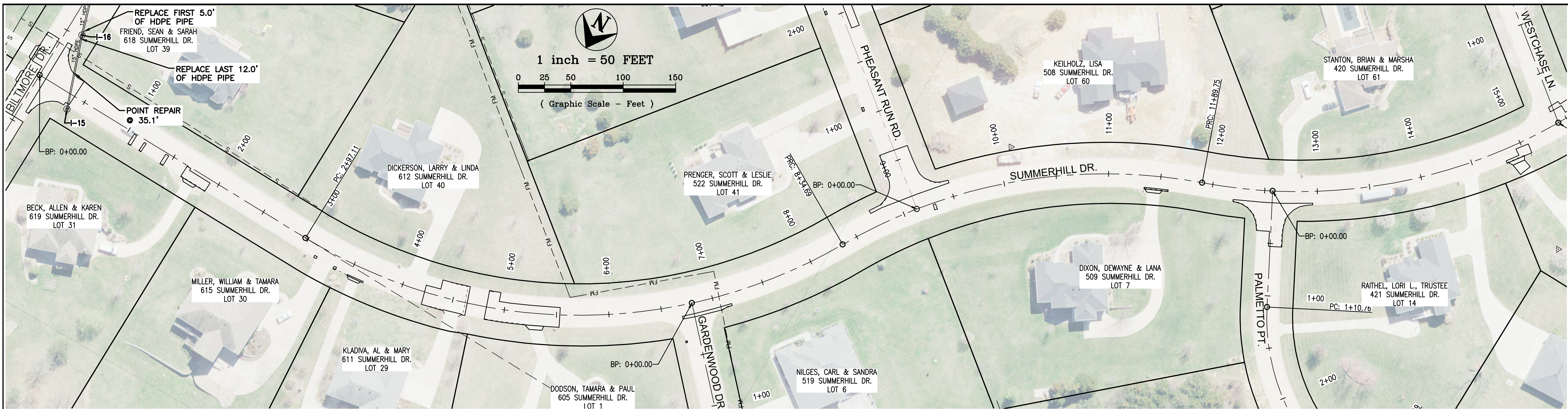
Central Missouri Professional Services, Inc.
ENGINEERING - SURVEYING - MATERIALS TESTING
2500 E. McCARTY
JEFFERSON CITY, MISSOURI 65101
(573) 634-3455
(573) 634-8898

STATE OF MISSOURI
PAUL SAMSON
PE-2002016730
PROFESSIONAL ENGINEER
6-6-16

Paul Samson, PE - Engineer
MO# PE-2002016730

**PARKVIEW MEADOWS NID
STREET IMPROVEMENTS**
COLE COUNTY PUBLIC WORKS
COLE COUNTY, MISSOURI

CMPS JOB No. 93-258
DRN. BY: P.L.S. CKD. BY: P.L.S.
SCALE: 1" = 50'
SHEET TITLE
**IMPROVEMENT
PLANS**
SHEET NUMBER
3
OF 7 SHEETS



PRINTS ISSUED
5/6/16
REVISIONS:

Central Missouri Professional Services, Inc.
ENGINEERING - SURVEYING - MATERIALS TESTING
2500 E. MCCARTY
JEFFERSON CITY, MISSOURI 65101
(573) 634-3455
(573) 634-8898

Paul Samson, PE - Engineer
MO# PE-2002016730

**PARKVIEW MEADOWS NID
STREET IMPROVEMENTS**

COLE COUNTY PUBLIC WORKS

COLE COUNTY, MISSOURI

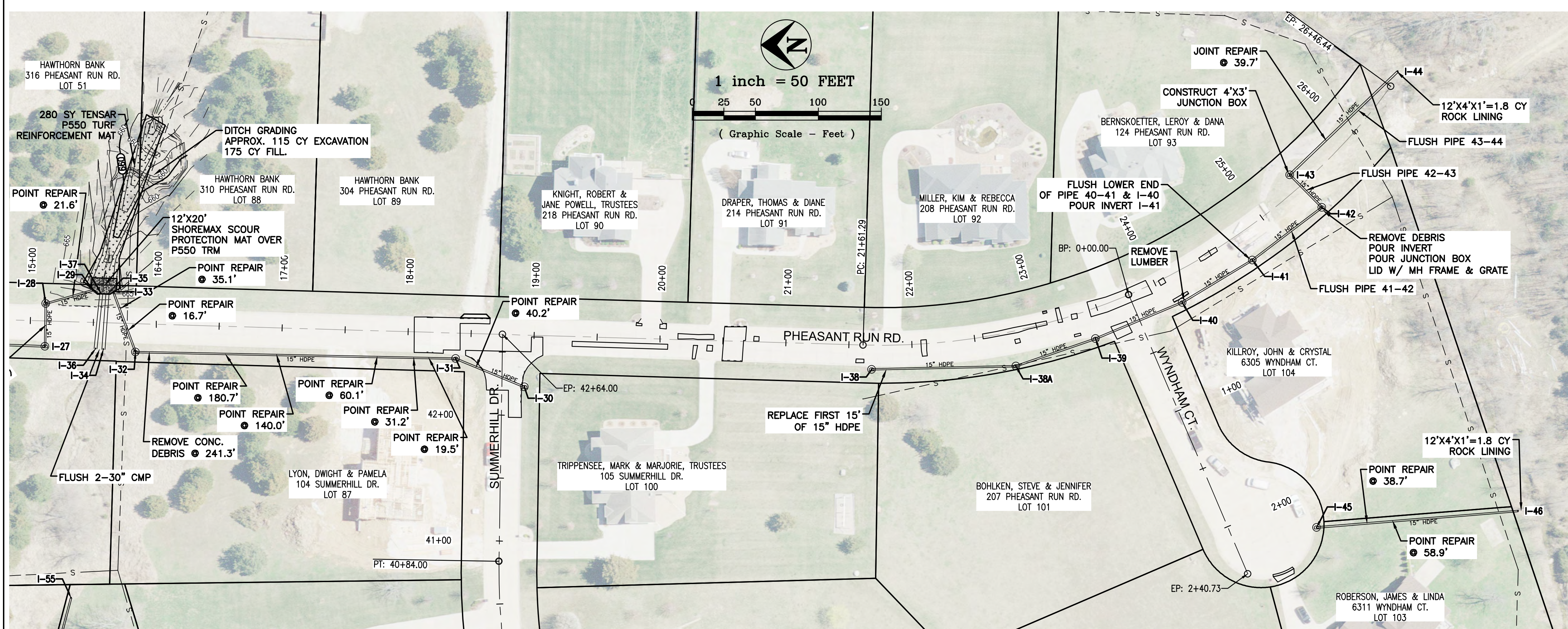
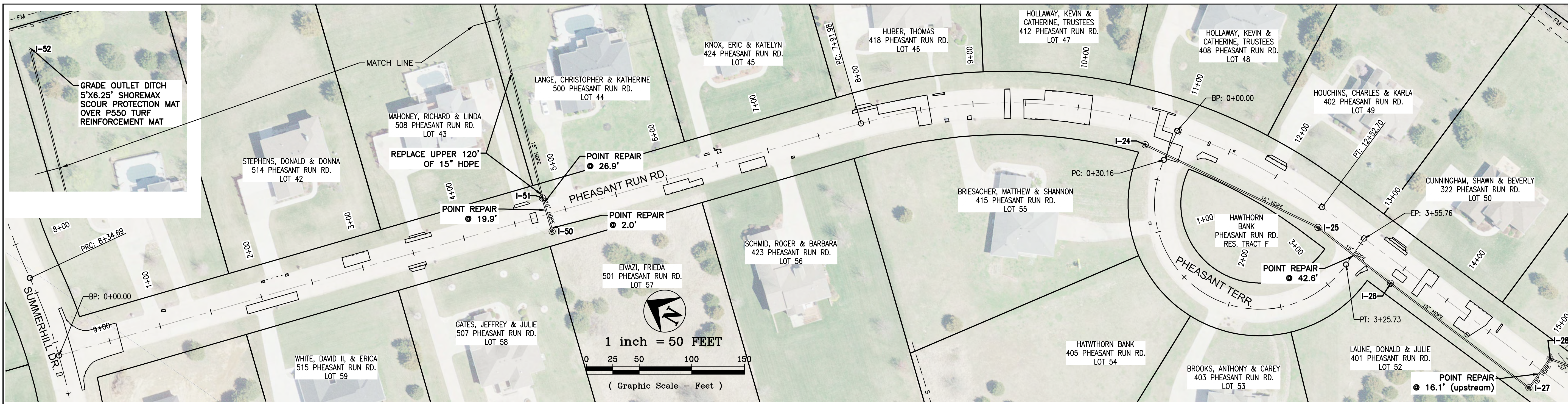
CMPS JOB No. 93-258

DRN. BY: P.L.S. CKD. BY: P.L.S.

SCALE: 1" = 50'

SHEET TITLE
**IMPROVEMENT
PLANS**

SHEET NUMBER
4
OF 7 SHEETS



PRINTS ISSUED
5/6/16
REVISIONS:

Central Missouri Professional Services, Inc.
ENGINEERING - SURVEYING - MATERIALS TESTING
2500 E. MCCARTY
JEFFERSON CITY, MISSOURI 65101
(573) 634-3455
(573) 634-8898

Central Missouri Professional Services, Inc.
Missouri State Certificate of Authority #001558

STATE OF MISSOURI
PAUL SAMSON
PROFESSIONAL ENGINEER
NUMBER
PE-2002016730
6-6-16

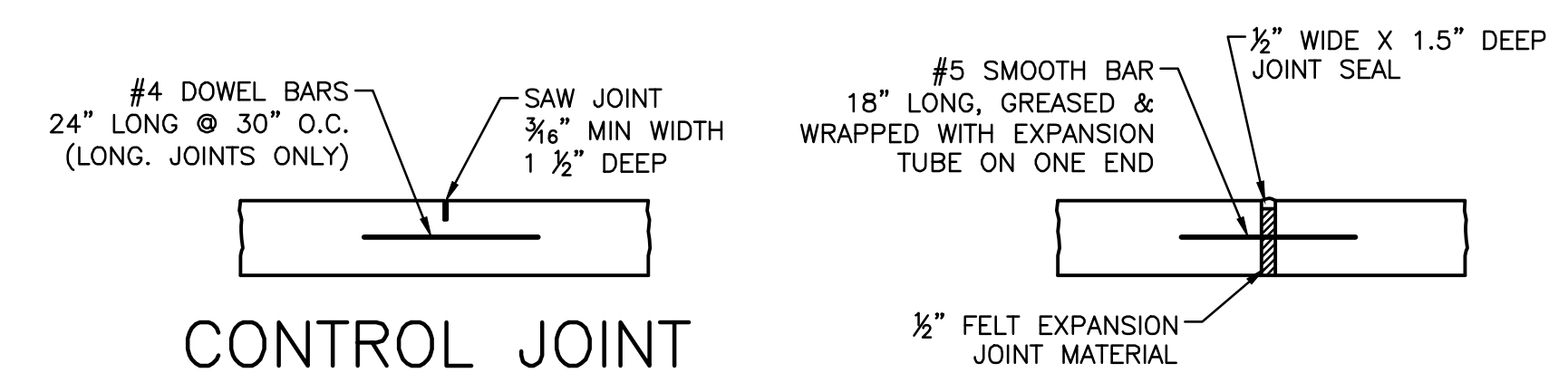
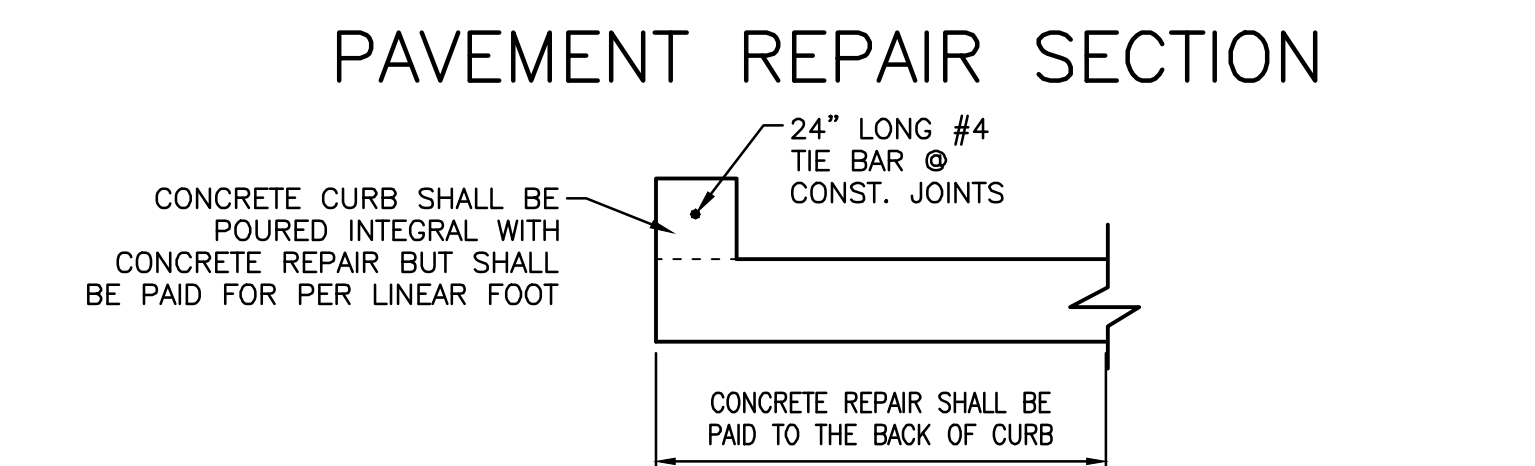
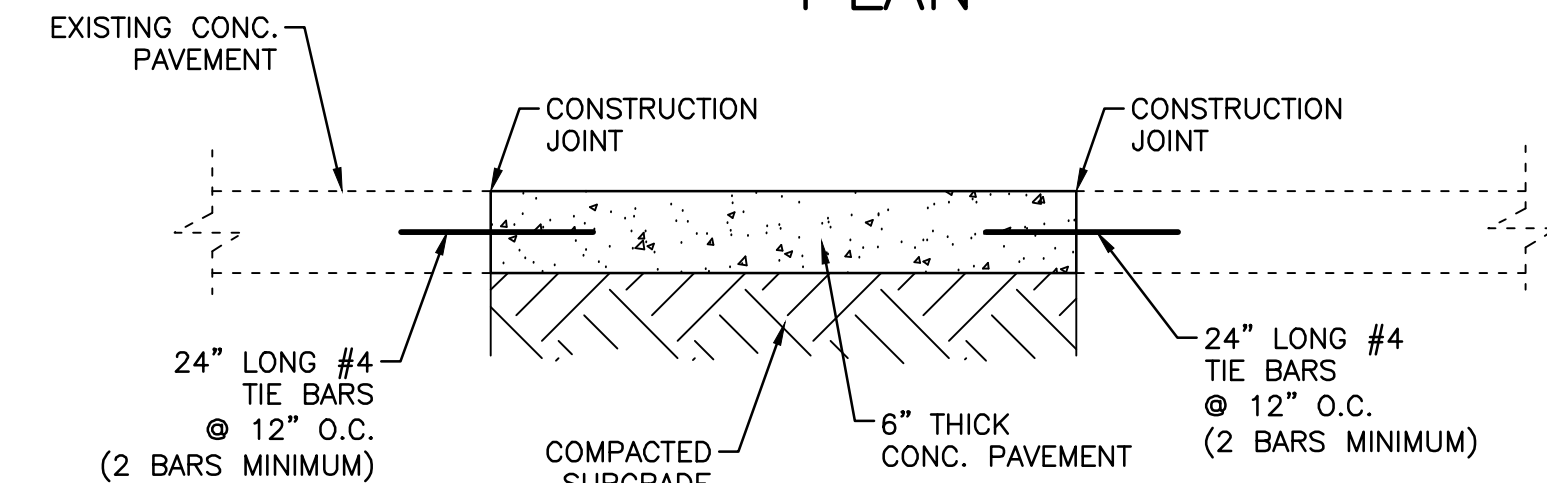
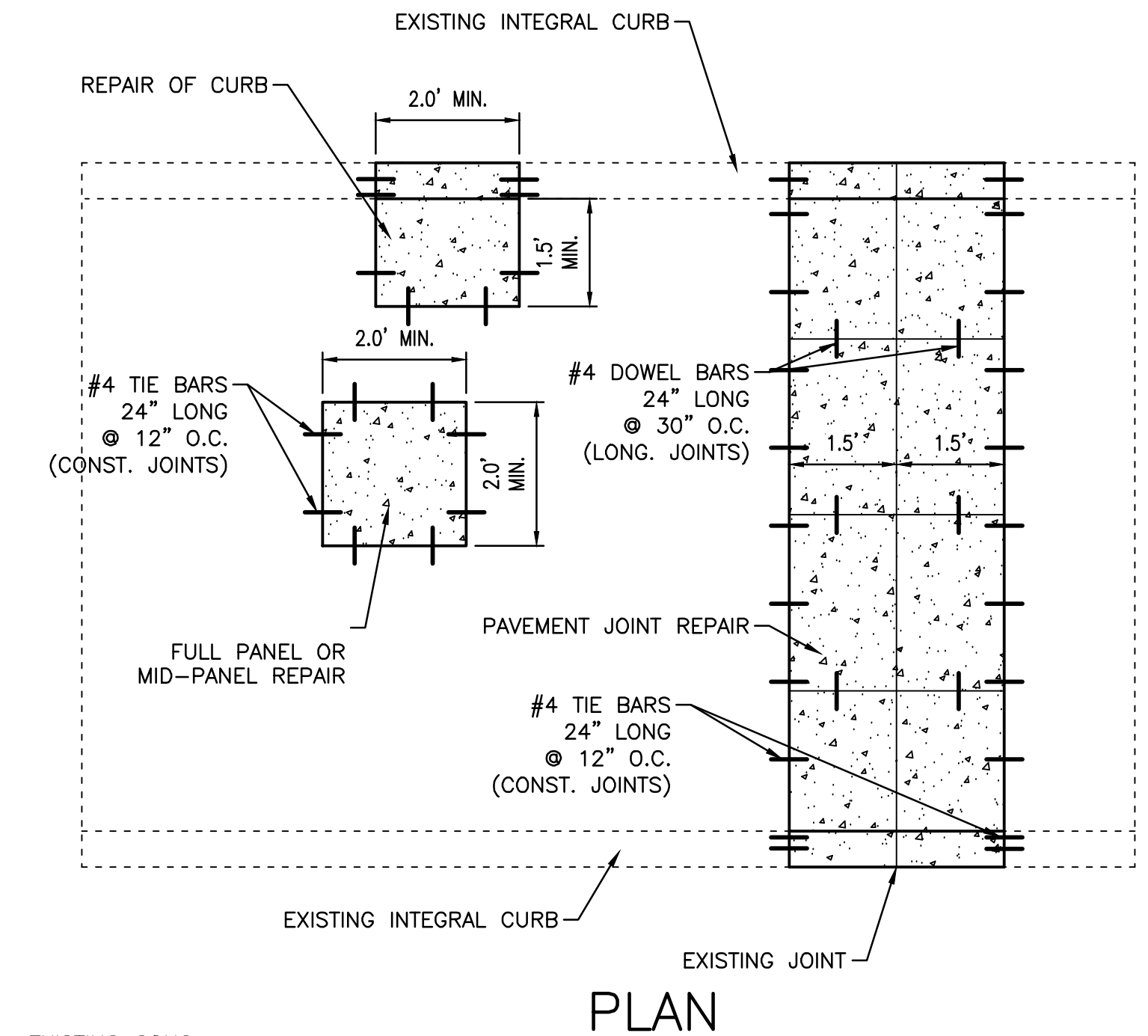
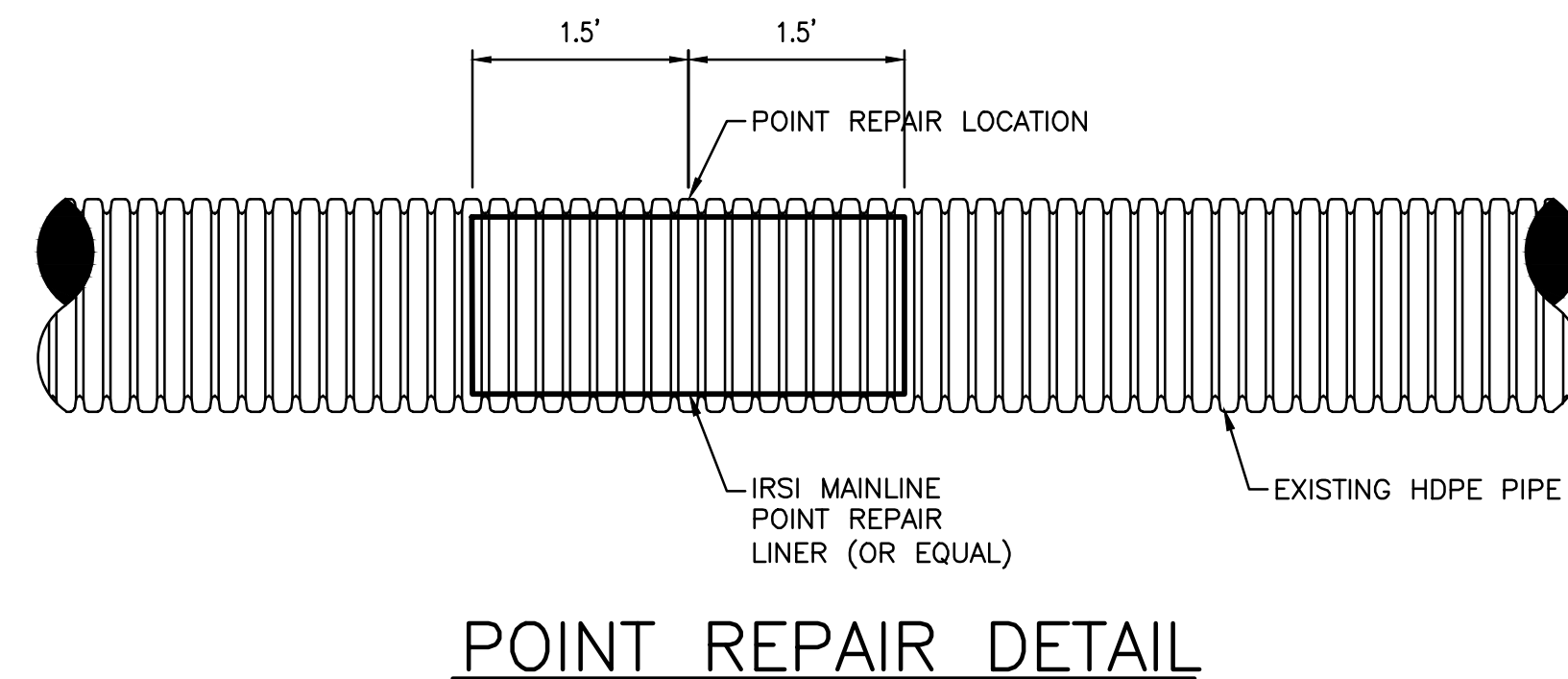
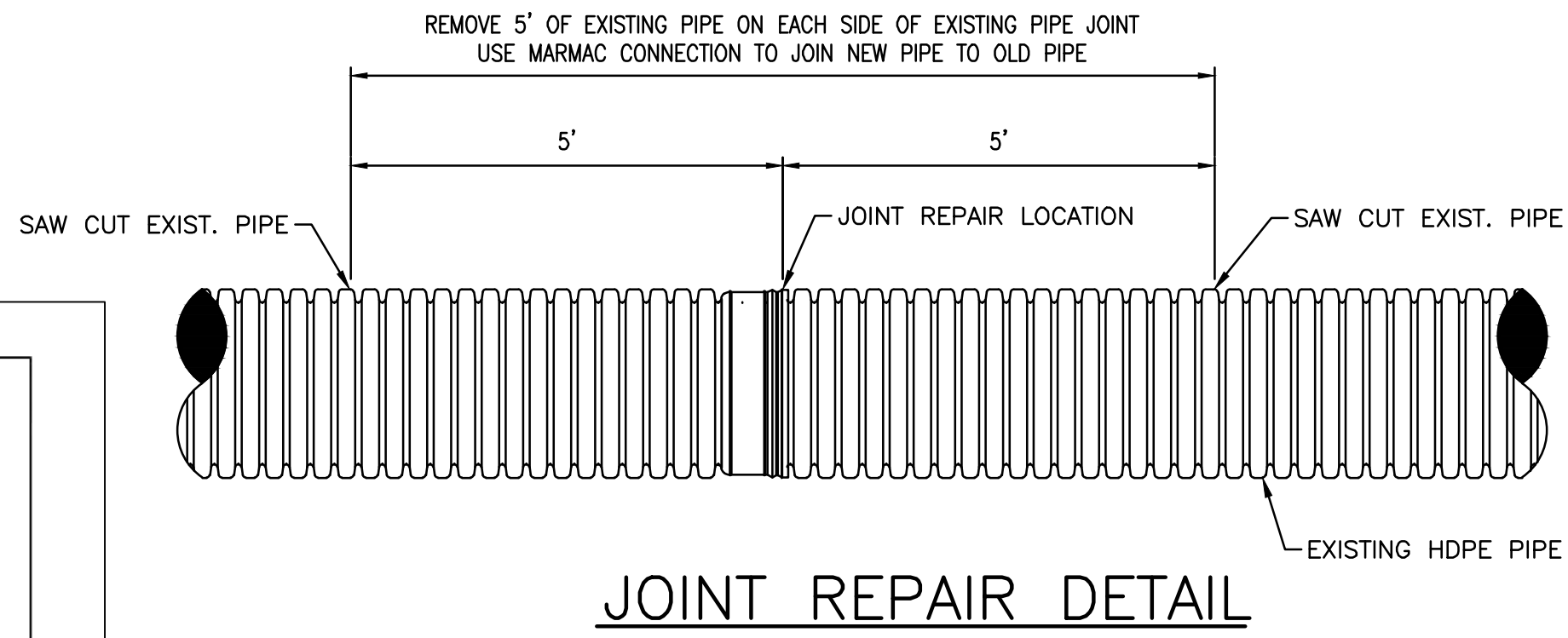
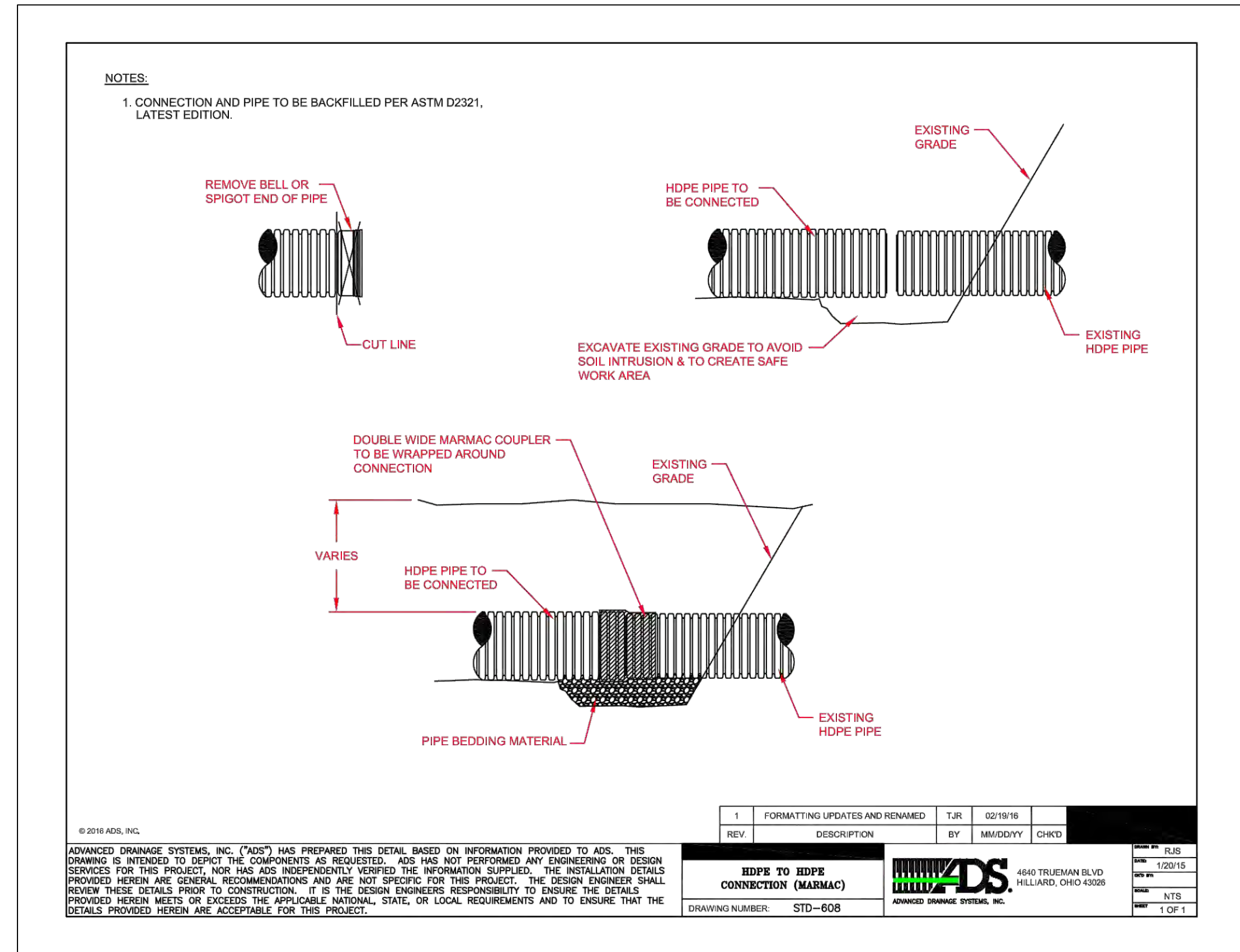
Paul Samson, PE - Engineer
MO# PE-2002016730

**PARKVIEW MEADOWS NID
STREET IMPROVEMENTS**
COLE COUNTY PUBLIC WORKS
COLE COUNTY, MISSOURI

CMPS JOB No. 93-258
DRN. BY: P.L.S. CKD. BY: P.L.S.

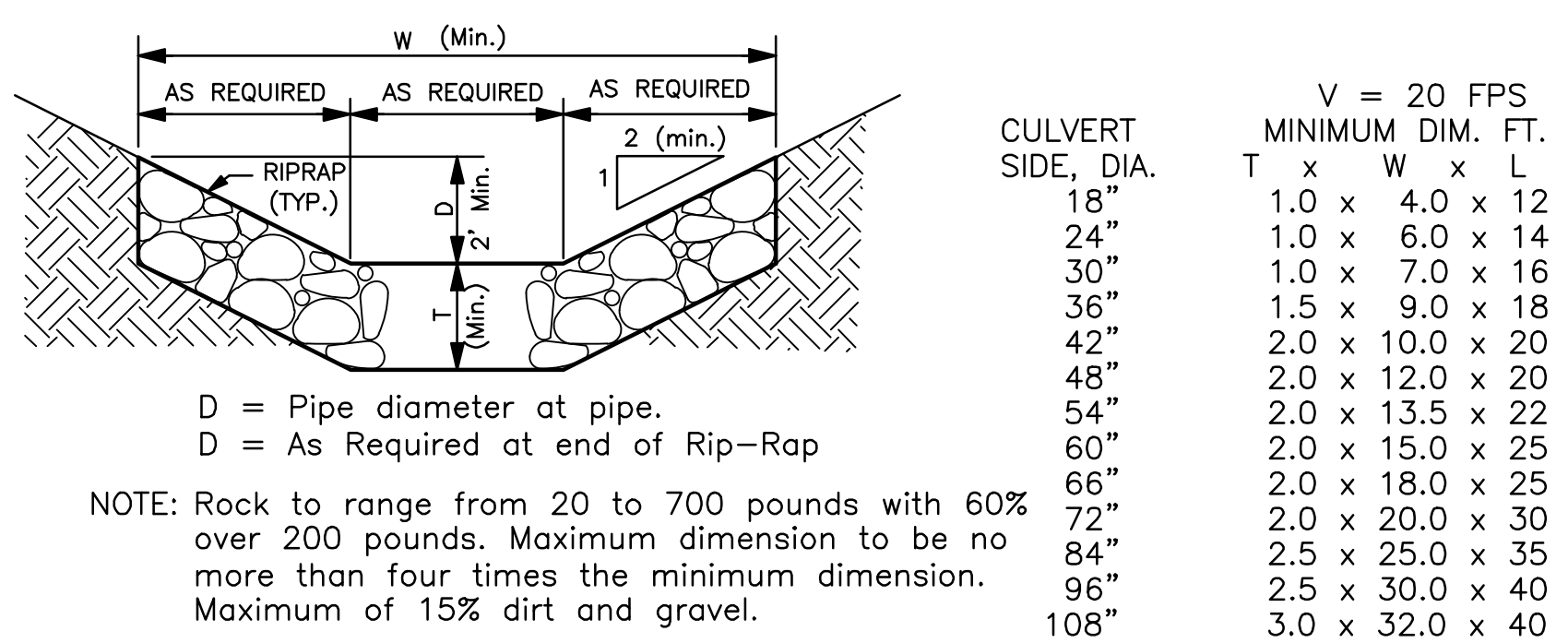
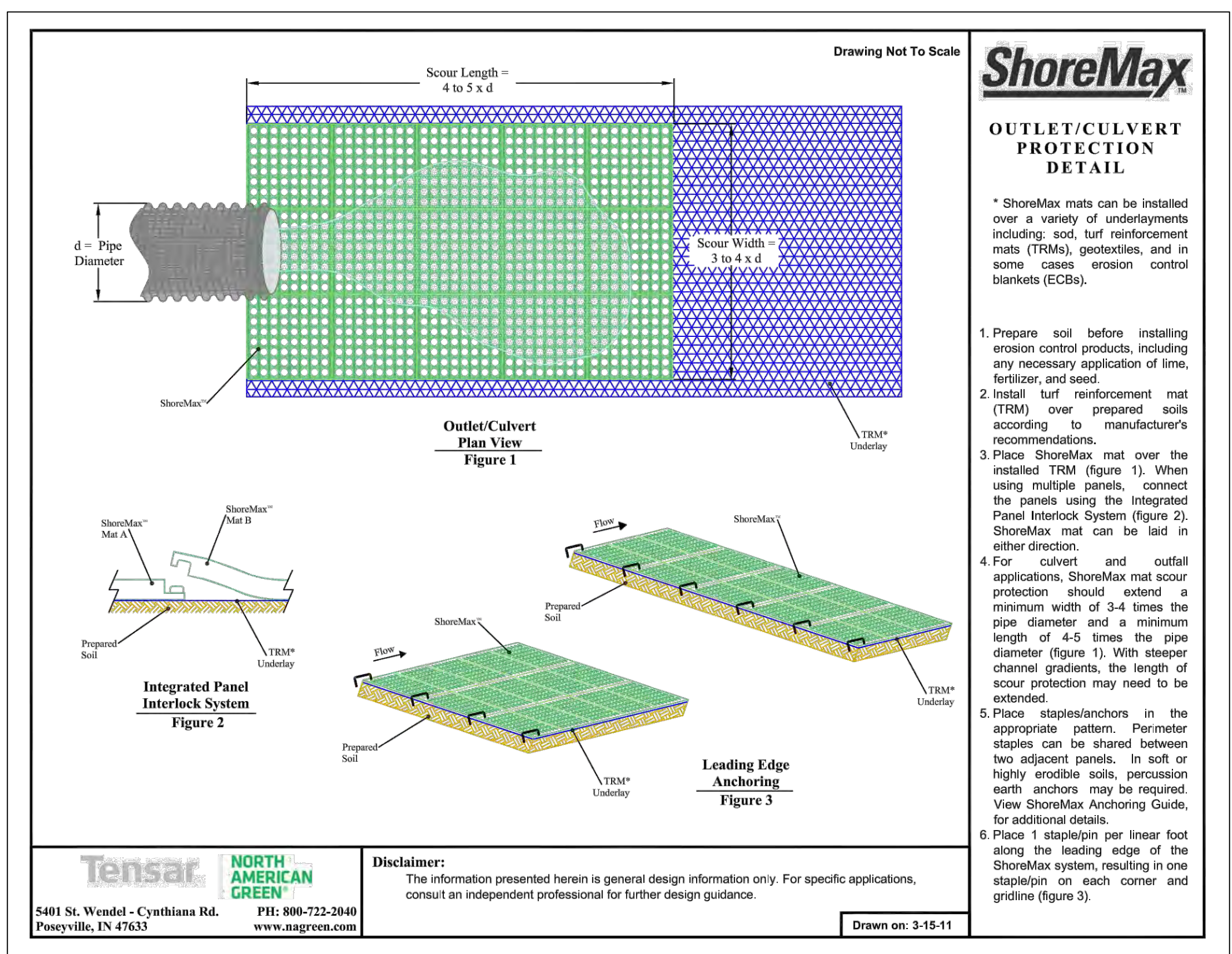
SCALE: 1" = 50'

SHEET TITLE
**IMPROVEMENT
PLANS**
SHEET NUMBER
5
OF 7 SHEETS



- NOTES:**
- THE UNIT PRICE FOR PAVEMENT REPLACEMENT SHALL INCLUDE ALL SAW CUTS, REMOVALS, SUBGRADE PREPARATION, TIE BARS, DOWELS, CONCRETE PAVEMENT, SAW JOINTS AND JOINT SEAL.
 - JOINTS SHALL BE LOCATED PER CITY OF JEFFERSON STD. DRAWING 20.03.
 - TRANSVERSE CONTROL JOINTS SHALL BE SAWED, NO DOWEL BARS REQUIRED.
 - LONGITUDINAL CONTROL JOINTS SHALL BE SAWED AND REINFORCED WITH 24" LONG #4 DOWEL BARS @ 30" O.C.
 - ALL CONSTRUCTION JOINTS SHALL BE TIED WITH 24" LONG #4 BARS @ 12" O.C. (MINIMUM 2 BARS)
 - ALL NEW JOINTS SHALL MATCH EXISTING JOINT SPACING.
 - ALL JOINTS SHALL BE SEALED.

PAVEMENT REPAIR DETAILS
NO SCALE



PRINTS ISSUED
5/6/16
REVISIONS:

Central Missouri Professional Services, Inc.
ENGINEERING - SURVEYING - MATERIALS TESTING
2500 E. MCCARTY
JEFFERSON CITY, MISSOURI 65101
(573) 634-3455
(573) 634-8898

Paul Samson, PE - Engineer
MO# PE-2002016730

STATE OF MISSOURI
PAUL SAMSON
NUMBER
PE-2002016730
PROFESSIONAL ENGINEER
6-6-16

PARKVIEW MEADOWS NID STREET IMPROVEMENTS
COLE COUNTY PUBLIC WORKS

COLE COUNTY, MISSOURI

CMPS JOB No. 93-258
DRN. BY: C.F.B. CKD. BY: P.L.S.
SCALE:
SHEET TITLE
DETAILS
SHEET NUMBER
7
OF 7 SHEETS